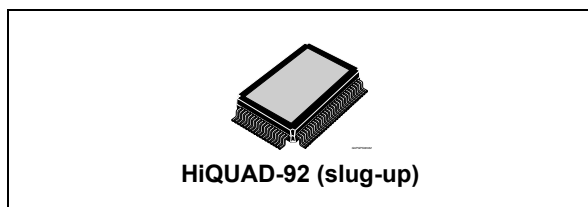


## 4 x 135 W / 2 x 270 W PWM digital input power amplifier with I<sup>2</sup>C diagnostics, step-up driver and low voltage operation

Data brief - production data



### Features

- Integrated 108 dB D/A conversion
- I<sup>2</sup>S and TDM digital input (3.3/1.8 V)
- Input sampling frequency: 44.1kHz, 48 kHz, 96 kHz, 192 kHz
- MOSFET power outputs
- Step-up driver included
- EMI control for FM/AM compatibility
- EMI compliance at the CEI EN 55025 (2009-10)
- Dithering possibility
- Very low component count
- Output lowpass filter included in the feedback
- Low radiation function (LRF)
- High output power capability
  - 4 x 85 W/4 Ω @ 25 V, 1 kHz, 10 % THD
  - 2 x 150 W/2 Ω @ 25 V, 1 kHz, 10 % THD
- Max. output power
  - 4 x 135 W/4 Ω @ 25 V, 1 kHz
  - 2 x 270 W/2 Ω @ 25 V, 1 kHz
- Full I<sup>2</sup>C bus driving (3.3/1.8 V):
  - Independent front/rear soft play/ mute
  - I<sup>2</sup>C diagnostics (DC and AC load detection, internal test signal generated)
- Very flexible fault detection though integrated diagnostic
- Offset detector (play or mute mode)
- Four independent short circuit protection
- Clipping detector
- C-MOS compatible enable pin (3.3/5 V)

- ESD protection
- 6 V operation ("start - stop")

### Description

The FDA4100LV is a new BCD- SOI (silicon on insulation) technology QUAD BRIDGE class D amplifier, specially intended for car radio applications.

Thanks to the technology used, it is possible to integrate a high performance D/A converter together with powerful MOSFET outputs in class D, to get an outstanding efficiency compared with to the standard class AB.

The integrated D/A converter allows to reach outstanding performances (110 dB S/N ratio with 108 dB of dynamic range). The feedback loop is including the output L-C low-pass filter, allowing superior frequency response linearity and lower distortion independently of the inductor and capacitor quality.

FDA4100LV is fully configurable through I<sup>2</sup>C bus interface and integrates a full diagnostics array specially intended for automotive applications (with the status of each single speaker).

Thanks to the solutions implemented to solve the EMI problems, the device is conceived to be used in the standard single DIN car-radio box together with the tuner.

The possibility to parallelize the outputs allows to drive both 2 Ω and 1 Ω speakers.

A built-in step-up driver allows to provide high output power even using the standard 14 V supply voltage.

Moreover FDA4100LV is able to work down to 6 V supply, thus supporting the most recent low voltage ('start-stop') car-makers specification.

Table 1. Device summary

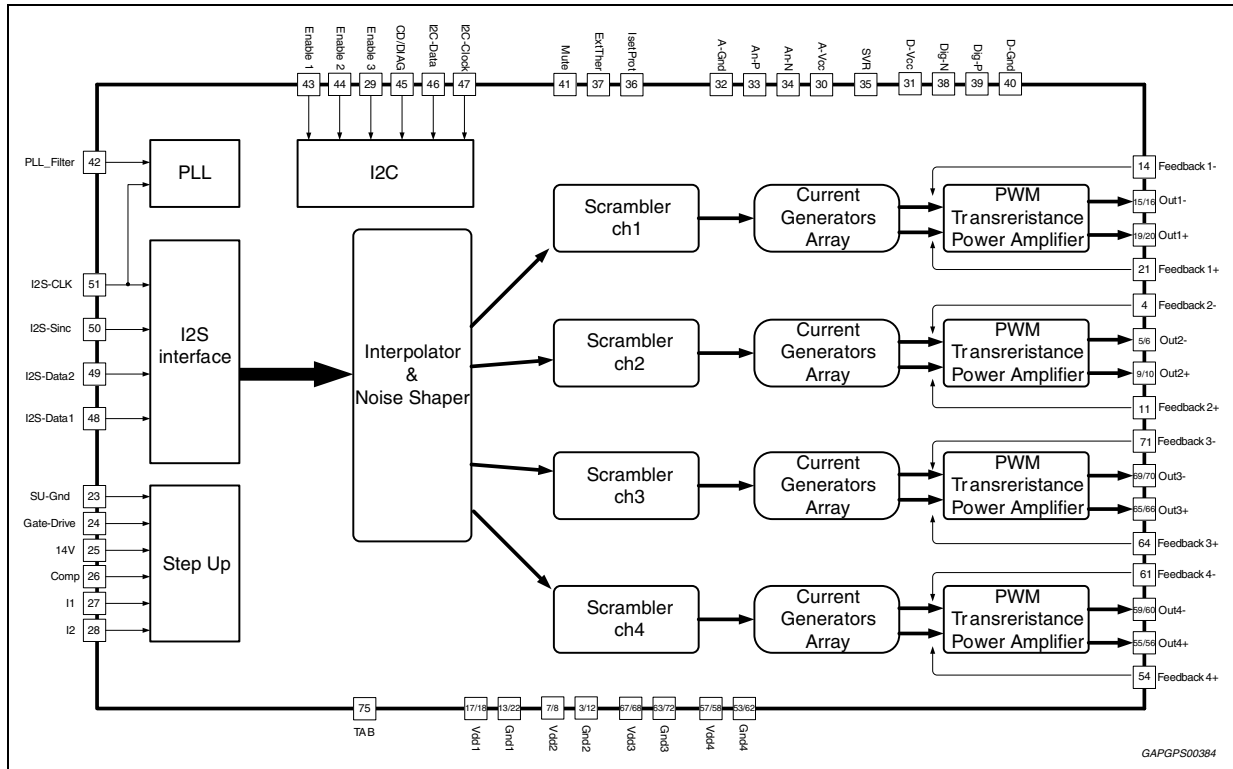
Order code	Package	Packing
FDA4100LV	HiQUAD92	Tray

# Contents

1	Block diagram .....	3
2	Pins description .....	4
3	Package information .....	7
4	Revision history .....	8

# 1 Block diagram

Figure 1. Block diagram



## 2 Pins description

Figure 2. Pins connection diagram (top view)

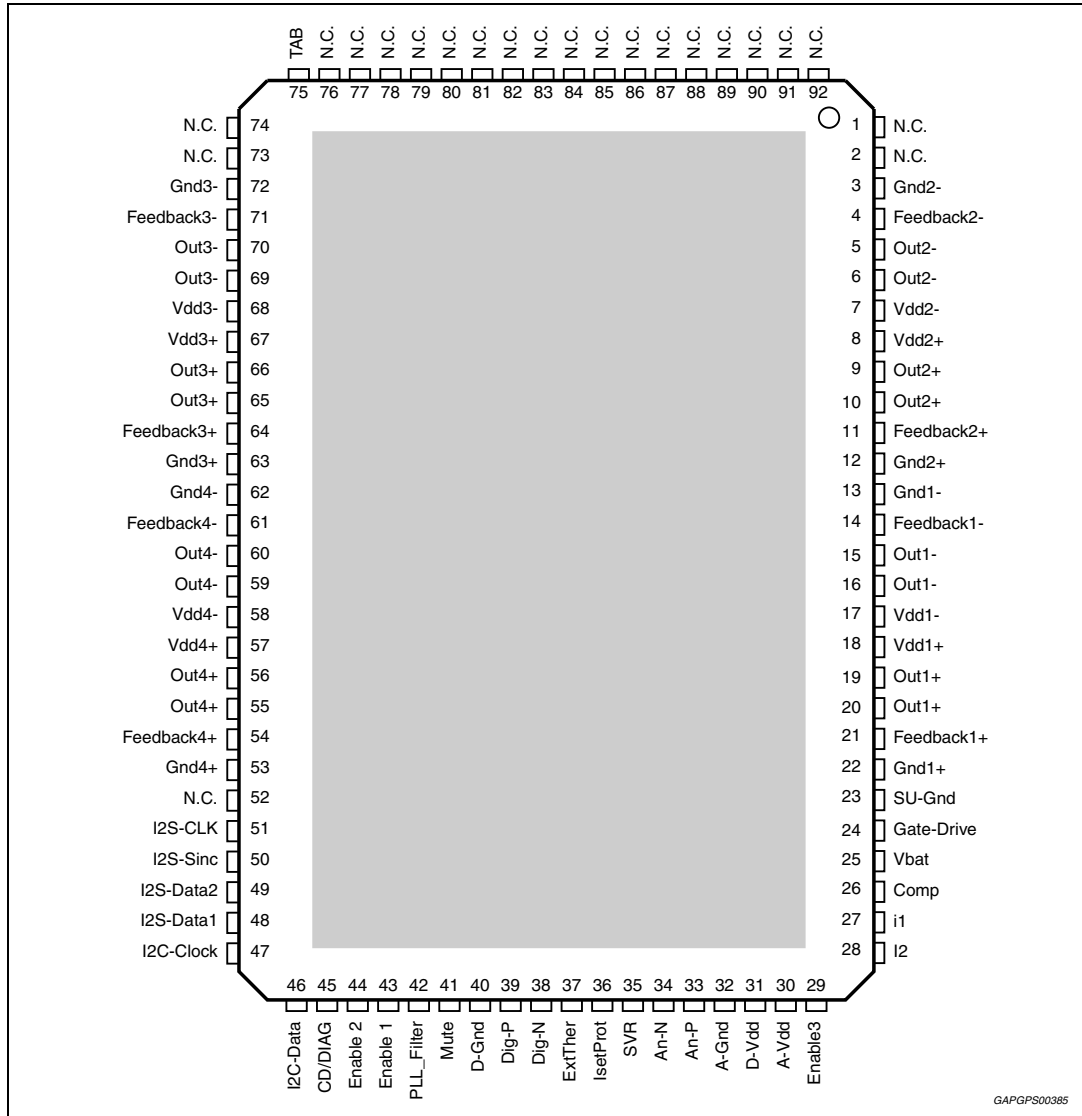


Table 2. Pins list description

Pin # (HiQUAD-92)	Pin name	Function
1	N.C.	Not connected
2	N.C.	Not connected
3	Gnd2-	Channel 2, half bridge power ground -
4	Feedback2-	Channel 2 half bridge feedback -
5	Out2-	Channel 2 half bridge output -
6	Out2-	Channel 2 half bridge output -

**Table 2. Pins list description (continued)**

Pin # (HiQUAD-92)	Pin name	Function
7	Vdd2-	Channel 2 half bridge power supply -
8	Vdd2+	Channel 2 half bridge power supply +
9	Out2+	Channel 2 half bridge output +
10	Out2+	Channel 2 half bridge output +
11	Feedback2+	Channel 2 half bridge feedback +
12	Gnd2+	Channel 2, half bridge power ground +
13	Gnd1-	Channel 1, half bridge power ground -
14	Feedback1-	Channel 1 half bridge feedback -
15	Out1-	Channel 1 half bridge output -
16	Out1-	Channel 1 half bridge output -
17	Vdd1-	Channel 1 half bridge power supply -
18	Vdd1+	Channel 1 half bridge power supply +
19	Out1+	Channel 1 half bridge output +
20	Out1+	Channel 1 half bridge output +
21	Feedback1+	Channel 1 half bridge feedback +
22	Gnd1+	Channel 1, half bridge power ground +
23	SU-Gnd	Step-up power ground
24	Gate-Drive	External PowerMOS gate drive output
25	Vbat	Power supply (battery)
26	Comp	Step-up compensation input
27	I1	Step-up current limiting input
28	I2	Step-up current limiting reference
29	Enable3	Chip enable 3
30	A-Vdd	Analog power supply
31	D-Vdd	Digital power supply
32	A-Gnd	Analog ground
33	An-P	Positive analog supply V(svr)+1.65 (internally generated)
34	An-N	Negative analog supply V(svr)-1.65 (internally generated)
35	SVR	Supply voltage ripple rejection capacitor
36	IsetProt	Current protection resistor setting
37	ExtTher	External thermal protection input
38	Dig-N	Negative digital supply V(svr)-1.65 (internally generated)
39	Dig-P	Positive digital supply V(svr)+1.65 (internally generated)
40	D-Gnd	Digital ground
41	Mute	Mute input (10 µA source current)

**Table 2. Pins list description (continued)**

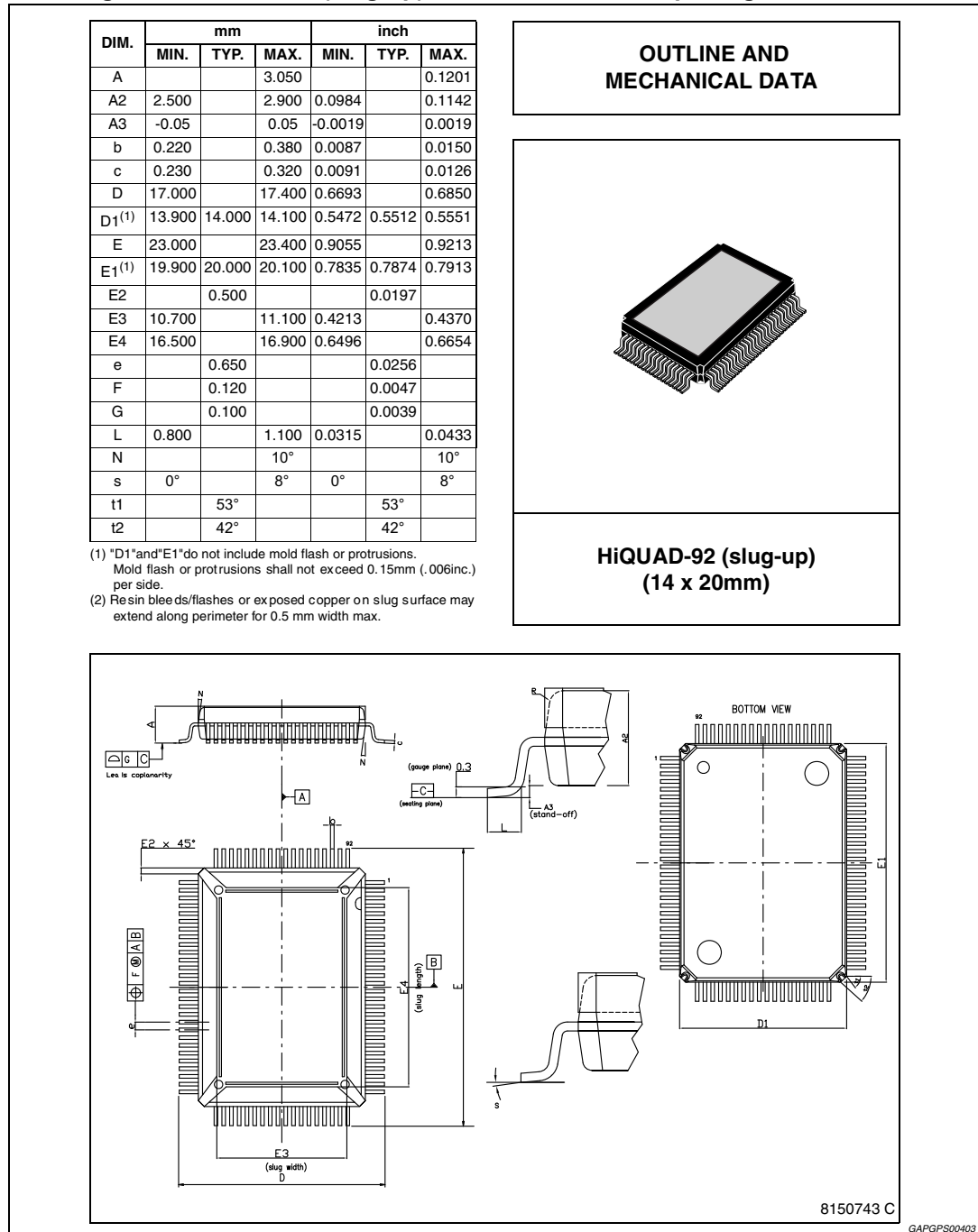
Pin # (HiQUAD-92)	Pin name	Function
42	PLL_Filter	PLL filter network
43	Enable 1	Chip enable 1
44	Enable 2	Chip enable 2
45	CD/DIAG	Clip detector and diagnostic output: overcurrent protection, thermal warning, offset detection
46	I2C-Data	I2C data input
47	I2C-Clock	I2C data Clock
48	I2S-Data1	I2S/TDM data 1 Input
49	I2S-Data2	I2S/TDM data 2 Input
50	I2S-Sinc	I2S/TDM sinc Input DRAFT
51	I2S-CLK	I2S/TDM clock Input
52	N.C.	Not connected
53	Gnd4+	Channel 4, half bridge Power Ground +
54	Feedback4+	Channel 4 half bridge Feedback +
55	Out4+	Channel 4 half bridge Output +
56	Out4+	Channel 4 half bridge Output +
57	Vdd4+	Channel 4 half bridge Power Supply +
58	Vdd4-	Channel 4 half bridge Power Supply -
59	Out4-	Channel 4 half bridge Output -
60	Out4-	Channel 4 half bridge Output -
61	Feedback4-	Channel 4 half bridge Feedback -
62	Gnd4-	Channel 4, half bridge Power Ground -
63	Gnd3+	Channel 3, half bridge Power Ground +
64	Feedback3+	Channel 3 half bridge Feedback +
65	Out3+	Channel 3 half bridge Output +
66	Out3+	Channel 3 half bridge Output +
67	Vdd3+	Channel 3 half bridge Power Supply +
68	Vdd3-	Channel 3 half bridge Power Supply -
69	Out3-	Channel 3 half bridge Output -
70	Out3-	Channel 3 half bridge Output -
71	Feedback3-	Channel 3 half bridge Feedback -
72	Gnd3-	Channel 3, half bridge Power Ground -
73, 74	N.C.	Not connected
75	TAB	-
76-92	N.C.	Not connected

### 3 Package information

In order to meet environmental requirements, ST offers these devices in different grades of ECOPACK<sup>®</sup> packages, depending on their level of environmental compliance. ECOPACK<sup>®</sup> specifications, grade definitions and product status are available at: [www.st.com](http://www.st.com).

ECOPACK<sup>®</sup> is an ST trademark.

**Figure 3. HiQUAD-92 (slug-up) mechanical data and package dimensions**



## 4 Revision history

**Table 3. Document revision history**

Date	Revision	Changes
19-Jul-2013	1	Initial release.
18-Sep-2013	2	Updated Disclaimer.



**Please Read Carefully:**

Information in this document is provided solely in connection with ST products. STMicroelectronics NV and its subsidiaries ("ST") reserve the right to make changes, corrections, modifications or improvements, to this document, and the products and services described herein at any time, without notice.

All ST products are sold pursuant to ST's terms and conditions of sale.

Purchasers are solely responsible for the choice, selection and use of the ST products and services described herein, and ST assumes no liability whatsoever relating to the choice, selection or use of the ST products and services described herein.

No license, express or implied, by estoppel or otherwise, to any intellectual property rights is granted under this document. If any part of this document refers to any third party products or services it shall not be deemed a license grant by ST for the use of such third party products or services, or any intellectual property contained therein or considered as a warranty covering the use in any manner whatsoever of such third party products or services or any intellectual property contained therein.

**UNLESS OTHERWISE SET FORTH IN ST'S TERMS AND CONDITIONS OF SALE ST DISCLAIMS ANY EXPRESS OR IMPLIED WARRANTY WITH RESPECT TO THE USE AND/OR SALE OF ST PRODUCTS INCLUDING WITHOUT LIMITATION IMPLIED WARRANTIES OF MERCHANTABILITY, FITNESS FOR A PARTICULAR PURPOSE (AND THEIR EQUIVALENTS UNDER THE LAWS OF ANY JURISDICTION), OR INFRINGEMENT OF ANY PATENT, COPYRIGHT OR OTHER INTELLECTUAL PROPERTY RIGHT.**

**ST PRODUCTS ARE NOT DESIGNED OR AUTHORIZED FOR USE IN: (A) SAFETY CRITICAL APPLICATIONS SUCH AS LIFE SUPPORTING, ACTIVE IMPLANTED DEVICES OR SYSTEMS WITH PRODUCT FUNCTIONAL SAFETY REQUIREMENTS; (B) AERONAUTIC APPLICATIONS; (C) AUTOMOTIVE APPLICATIONS OR ENVIRONMENTS, AND/OR (D) AEROSPACE APPLICATIONS OR ENVIRONMENTS. WHERE ST PRODUCTS ARE NOT DESIGNED FOR SUCH USE, THE PURCHASER SHALL USE PRODUCTS AT PURCHASER'S SOLE RISK, EVEN IF ST HAS BEEN INFORMED IN WRITING OF SUCH USAGE, UNLESS A PRODUCT IS EXPRESSLY DESIGNATED BY ST AS BEING INTENDED FOR "AUTOMOTIVE, AUTOMOTIVE SAFETY OR MEDICAL" INDUSTRY DOMAINS ACCORDING TO ST PRODUCT DESIGN SPECIFICATIONS. PRODUCTS FORMALLY ESCC, QML OR JAN QUALIFIED ARE DEEMED SUITABLE FOR USE IN AEROSPACE BY THE CORRESPONDING GOVERNMENTAL AGENCY.**

Resale of ST products with provisions different from the statements and/or technical features set forth in this document shall immediately void any warranty granted by ST for the ST product or service described herein and shall not create or extend in any manner whatsoever, any liability of ST.

ST and the ST logo are trademarks or registered trademarks of ST in various countries.

Information in this document supersedes and replaces all information previously supplied.

The ST logo is a registered trademark of STMicroelectronics. All other names are the property of their respective owners.

© 2013 STMicroelectronics - All rights reserved

STMicroelectronics group of companies

Australia - Belgium - Brazil - Canada - China - Czech Republic - Finland - France - Germany - Hong Kong - India - Israel - Italy - Japan - Malaysia - Malta - Morocco - Philippines - Singapore - Spain - Sweden - Switzerland - United Kingdom - United States of America

[www.st.com](http://www.st.com)

