

Table of Contents

page 1	Table and Revision
page 2	Notes
page 3	MCU
page 4	OpenSDA
page 5	Power and Peripherals

Revisions

Rev	Description	Date	Approved
X1	Initial	Oct. 19, 2012	
A	Release	Oct. 26, 2012	
A1	1. DNP R2 2. DNP J1, J3, J7, J8, J9 and J10 3. DNP TE00 4. DNP BT1 5. DNP J4, J5 and populate R27, R28 6. Change R29, R30 From 10K(0603, 5%) to 510K (0603, 5%)		

		Microcontroller Solutions Group 6501 William Cannon Drive West Austin, TX 78752-8689	
<small>This document contains information proprietary to Freescale Semiconductor and shall not be used for engineering design, procurement or manufacture in whole or in part without the express written permission of Freescale Semiconductor.</small>			
Designer: Wang Peng		ICAP Classification: FOP: FUK: X PUB:	
Drawn by: Helen Xu		Drawing Title: FRDM-KL02Z	
Approved: Michael Norman		Page Title: Table of Contents/Revisions	
Size C	Document Number SCH-27772 PDF-SPF-27772	Date: Tuesday, December 11, 2012	Rev A1
		Sheet 1 of 5	

5

4

3

2

1

D

D

C

C

B

B

A

A



ICAP Classification: FCP: FIUC: X PUBI:

Drawing Title: **FRDM-KL02Z**

Page Title: **NOTES**

Size C	Document Number SCH-27772 PDF-SPF-27772	Rev A1
-----------	--	-----------

Date: Tuesday, December 11, 2012 Sheet 2 of 5

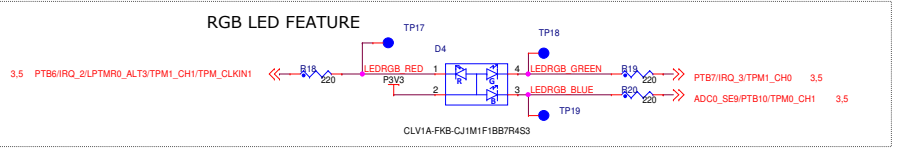
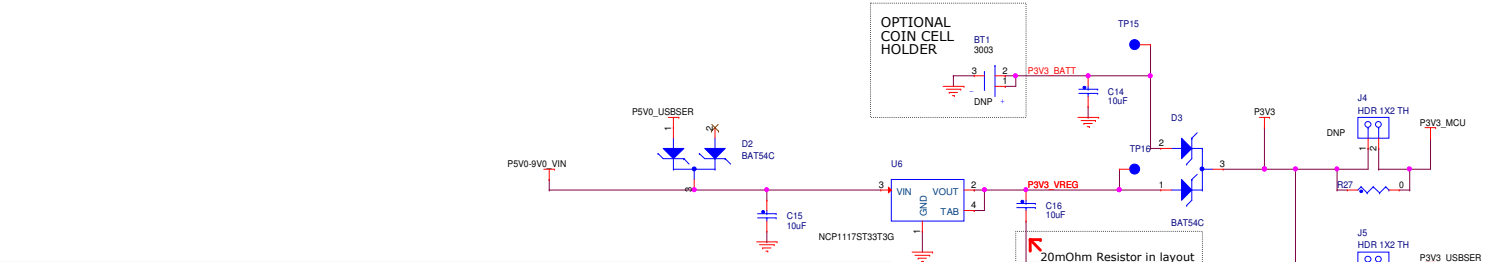
5

4

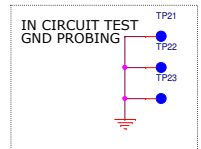
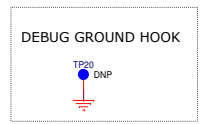
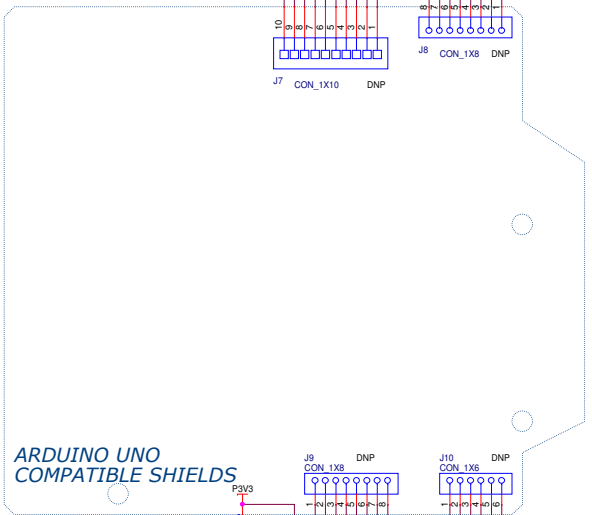
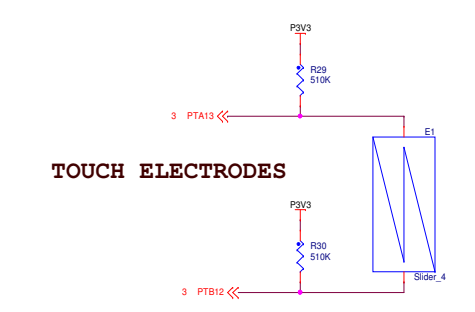
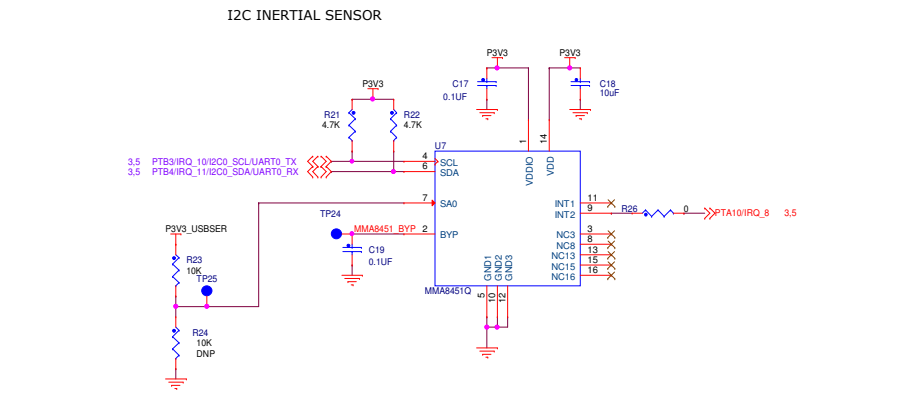
3

2

1



- 3 ADC0_SE4/PTB2/IRQ_7/UART0_RX/UART0_TX
- 3 ADC0_SE5/CMP0_IN3/PTB1/IRQ_6/UART0_TX/UART0_RX
- 3 ADC0_SE1/CMP0_IN1/PTB5/IRQ_12/TPM1_CH1/TPM_CLKIN1
- 3 ADC0_SE0/CMP0_IN0/PTA12/IRQ_13/LPTMR0_ALT2/TPM1_CH0/TPM_CLKIN0
- 3.5 PTB6/IRQ_2/LPTMR0_ALT3/TPM1_CH1/TPM_CLKIN1
- 3.5 PTB7/IRQ_3/TPM1_CH0
- 3.5 ADC0_SE9/PTB10/TPM0_CH1
- 3 ADC0_SE8/PTB11/TPM0_CH0
- 3 PTB5/TPM0_CH0/SPI0_MISO
- 3 ADC0_SE7/PTA7/IRQ_4/SPI0_MISO/SPI0_MOSI
- 3 PTB4/TPM0_CH0/SPI0_MISO
- 3 ADC0_SE6/PTB0/IRQ_5/EXTREG_INV/SPI0_SCK
- 3.5 PTB4/IRQ_11/IC20_SDA/UART0_RX
- 3.5 PTB3/IRQ_10/IC20_SCL/UART0_TX
- 3 AREF



freescale
semiconductor

ICAP Classification: FCP: FIUC: PUBI: X
Drawing Title: **FRDM-KL02Z**
Page Title: **ARDUINO SHIELDS & PWR SUPPLY**

Size C	Document Number SCH-27772 PDF:SPF-27772	Rev A1
--------	---	--------

Date: Tuesday, December 11, 2012 Sheet 5 of 5