



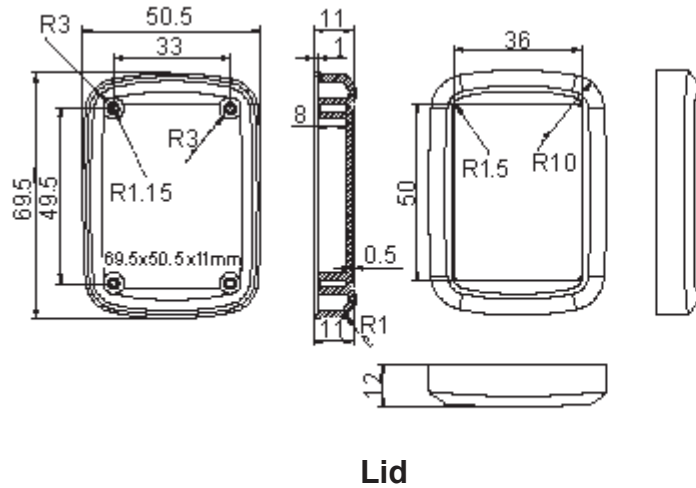
PART NO.

MCG19 - Series

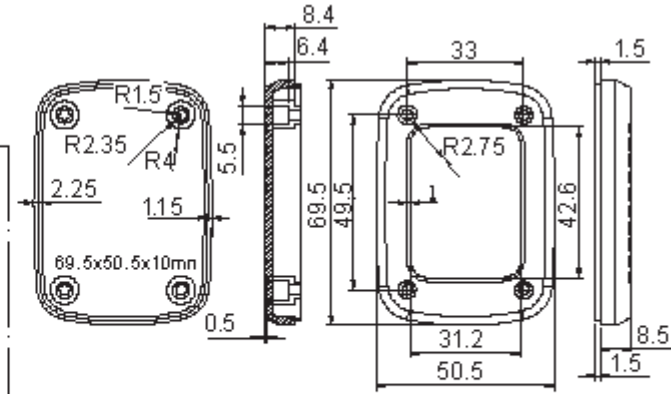
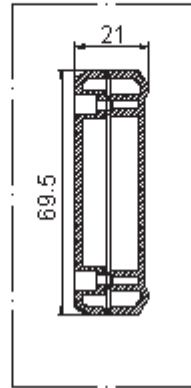
REVISIONS

ECN #	REV	DESCRIPTION	DRAWN	DATE	CHECKD	DATE	APPRVD	DATE
-	A	RELEASED	Geetha	02/6/08	Suresh	02/6/08	G. C	17/6/08

MCG1906-Small



Lid



Base

Dimensions : Millimetres

This data sheet and its contents (the "Information") belong to the Premier Farnell Group (the "Group") or are licensed to it. No licence is granted for the use of it other than for information purposes in connection with the products to which it relates. No licence of any intellectual property rights is granted. The Information is subject to change without notice and replaces all data sheets previously supplied. The Information supplied is believed to be accurate but the Group assumes no responsibility for its accuracy or completeness, any error in or omission from it or for any use made of it. Users of this data sheet should check for themselves the Information and the suitability of the products for their purpose and not make any assumptions based on information included or omitted. Liability for loss or damage resulting from any reliance on the Information or use of it (including liability resulting from negligence or where the Group was aware of the possibility of such loss or damage arising) is excluded. This will not operate to limit or restrict the Group's liability for death or personal injury resulting from its negligence. SPC MULTICOMP is the registered trademark of the Group. © Premier Farnell plc 2008.

TOLERANCES:
UNLESS OTHERWISE SPECIFIED, DIMENSIONS ARE FOR REFERENCE PURPOSES ONLY.

DRAWN BY:	DATE:
Geetha	02/06/08
CHECKED BY:	DATE:
Suresh	02/06/08
APPROVED BY:	DATE:
G.Cook	17/06/08

DRAWING TITLE:			
Utility Enclosure - Flame Retardant ABS			
SIZE	DWG NO.	ELECTRONIC FILE	REV
A	M10001218	1603599_DWG	A
SCALE: NTS		U.O.M.: mm	SHEET: 1 OF 3



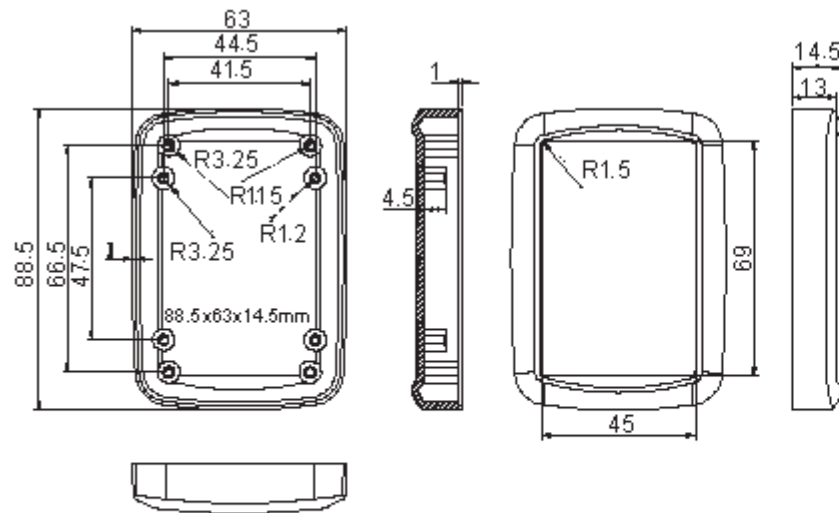
PART NO.

MCG19 - Series

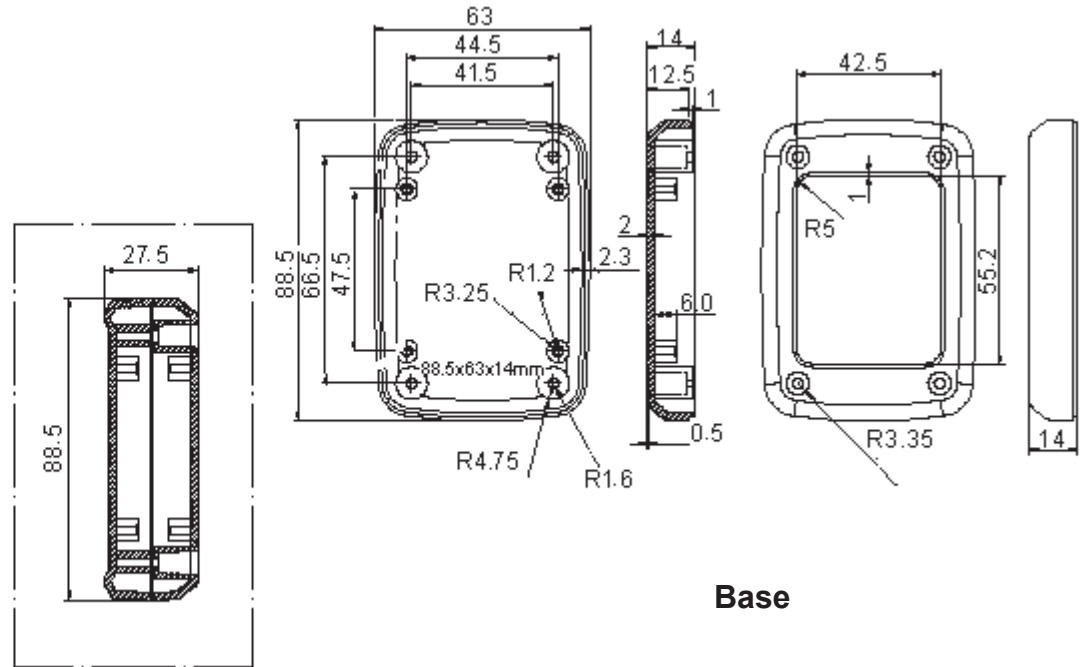
REVISIONS

ECN #	REV	DESCRIPTION	DRAWN	DATE	CHECKD	DATE	APPRVD	DATE
-	A	RELEASED	Geetha	02/6/08	Suresh	02/6/08	G. C	17/6/08

MCG1908-Medium



Lid



Base

Dimensions : Millimetres

This data sheet and its contents (the "Information") belong to the Premier Farnell Group (the "Group") or are licensed to it. No licence is granted for the use of it other than for information purposes in connection with the products to which it relates. No licence of any intellectual property rights is granted. The Information is subject to change without notice and replaces all data sheets previously supplied. The Information supplied is believed to be accurate but the Group assumes no responsibility for its accuracy or completeness, any error in or omission from it or for any use made of it. Users of this data sheet should check for themselves the Information and the suitability of the products for their purpose and not make any assumptions based on information included or omitted. Liability for loss or damage resulting from any reliance on the Information or use of it (including liability resulting from negligence or where the Group was aware of the possibility of such loss or damage arising) is excluded. This will not operate to limit or restrict the Group's liability for death or personal injury resulting from its negligence. SPC MULTICOMP is the registered trademark of the Group. © Premier Farnell plc 2008.

TOLERANCES:
UNLESS OTHERWISE SPECIFIED, DIMENSIONS ARE FOR REFERENCE PURPOSES ONLY.

DRAWN BY:	DATE:
Geetha	02/06/08
CHECKED BY:	DATE:
Suresh	02/06/08
APPROVED BY:	DATE:
G.Cook	17/06/08

DRAWING TITLE:

Utility Enclosure - Flame Retardant ABS

SIZE A	DWG NO. M10001218	ELECTRONIC FILE 1603599_DWG	REV A
SCALE: NTS		U.O.M.: mm	SHEET: 2 OF 3



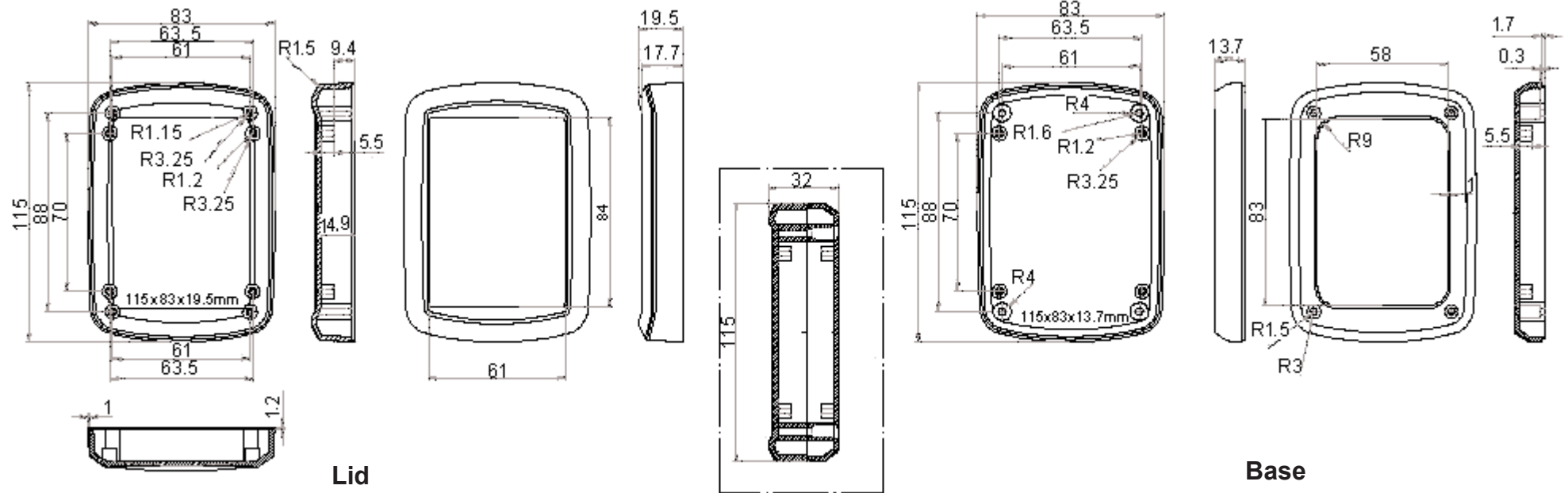
PART NO.

MCG19 - Series

REVISIONS

ECN #	REV	DESCRIPTION	DRAWN	DATE	CHECKD	DATE	APPRVD	DATE
-	A	RELEASED	Geetha	02/6/08	Suresh	02/6/08	G. C	17/6/08

MCG1910-Large



Lid

Base

Dimensions : Millimetres

Specifications:

Material : Flame retardant of ABS.
Ideally design for electronic product use.

Specification Table

Description	External Size	Part Number
Box, Small	69.5 x 50.5 x 21	MCG1906
Box, Medium	88.5 x 63 x 27.5	MCG1908
Box, Large	115 x 83 x 32	MCG1910

Dimensions : Millimetres

<http://www.farnell.com>

<http://www.newark.com>

<http://www.cpc.co.uk>

This data sheet and its contents (the "Information") belong to the Premier Farnell Group (the "Group") or are licensed to it. No licence is granted for the use of it other than for information purposes in connection with the products to which it relates. No licence of any intellectual property rights is granted. The Information is subject to change without notice and replaces all data sheets previously supplied. The Information supplied is believed to be accurate but the Group assumes no responsibility for its accuracy or completeness, any error in or omission from it or for any use made of it. Users of this data sheet should check for themselves the Information and the suitability of the products for their purpose and not make any assumptions based on information included or omitted. Liability for loss or damage resulting from any reliance on the Information or use of it (including liability resulting from negligence or where the Group was aware of the possibility of such loss or damage arising) is excluded. This will not operate to limit or restrict the Group's liability for death or personal injury resulting from its negligence. SPC MULTICOMP is the registered trademark of the Group. © Premier Farnell plc 2008.

TOLERANCES:

UNLESS OTHERWISE SPECIFIED, DIMENSIONS ARE FOR REFERENCE PURPOSES ONLY.

DRAWN BY:	DATE:
Geetha	02/06/08
CHECKED BY:	DATE:
Suresh	02/06/08
APPROVED BY:	DATE:
G.Cook	17/06/08

DRAWING TITLE:

Utility Enclosure - Flame Retardant ABS

SIZE	DWG NO.	ELECTRONIC FILE	REV
A	M10001218	1603599_DWG	A
SCALE: NTS	U.O.M.: mm	SHEET: 3	OF 3