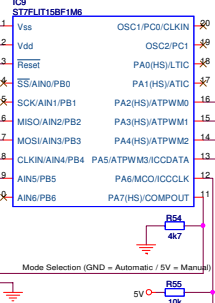
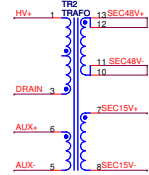
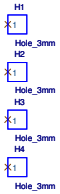
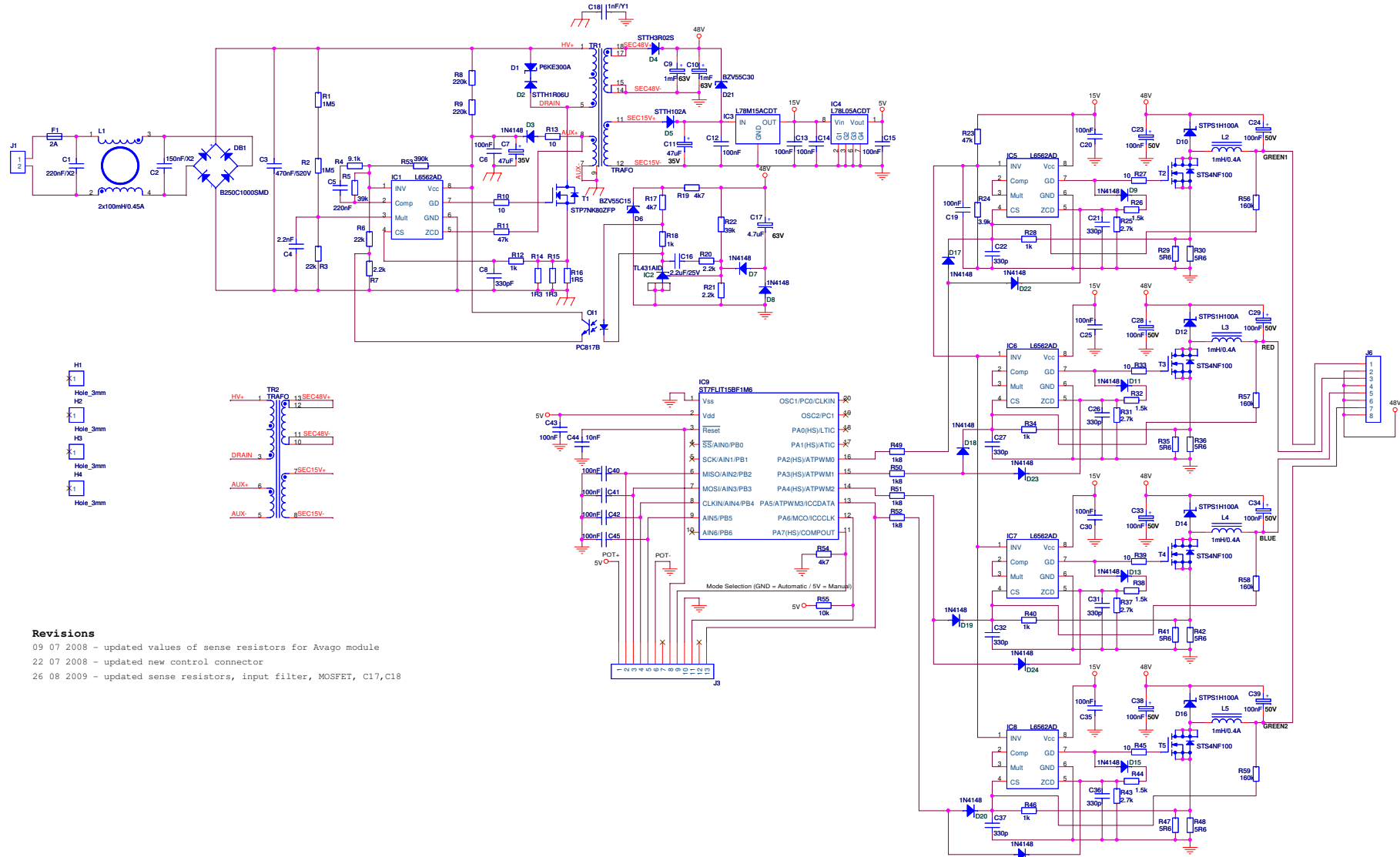




# STEVAL-ILL019V1



- Revisions**
- 09 07 2008 - updated values of sense resistors for Avago module
  - 22 07 2008 - updated new control connector
  - 26 08 2009 - updated sense resistors, input filter, MOSFET, C17,C18